



**DOSATRON®**

*WATER POWERED DOSING TECHNOLOGY*

---

# SCHEMATICS

## Dosatron Liquid Dispenser **Model # D14MZ5 – 14 GPM**

1:200 - 1:20

4.3 – 85 PSI

$\frac{3}{4}$ " NPT connection

### **Suggested Installation:**

200 mesh/80 micron water filter prior to unit

One-way check valve downstream from unit for water hammer protection

### **Suggested Maintenance Interval:**

Replace injection seals every 12 months

---

#### **DOSATRON SALES & SERVICE - NORTH & CENTRAL AMERICA**

Dosatron International, Inc.

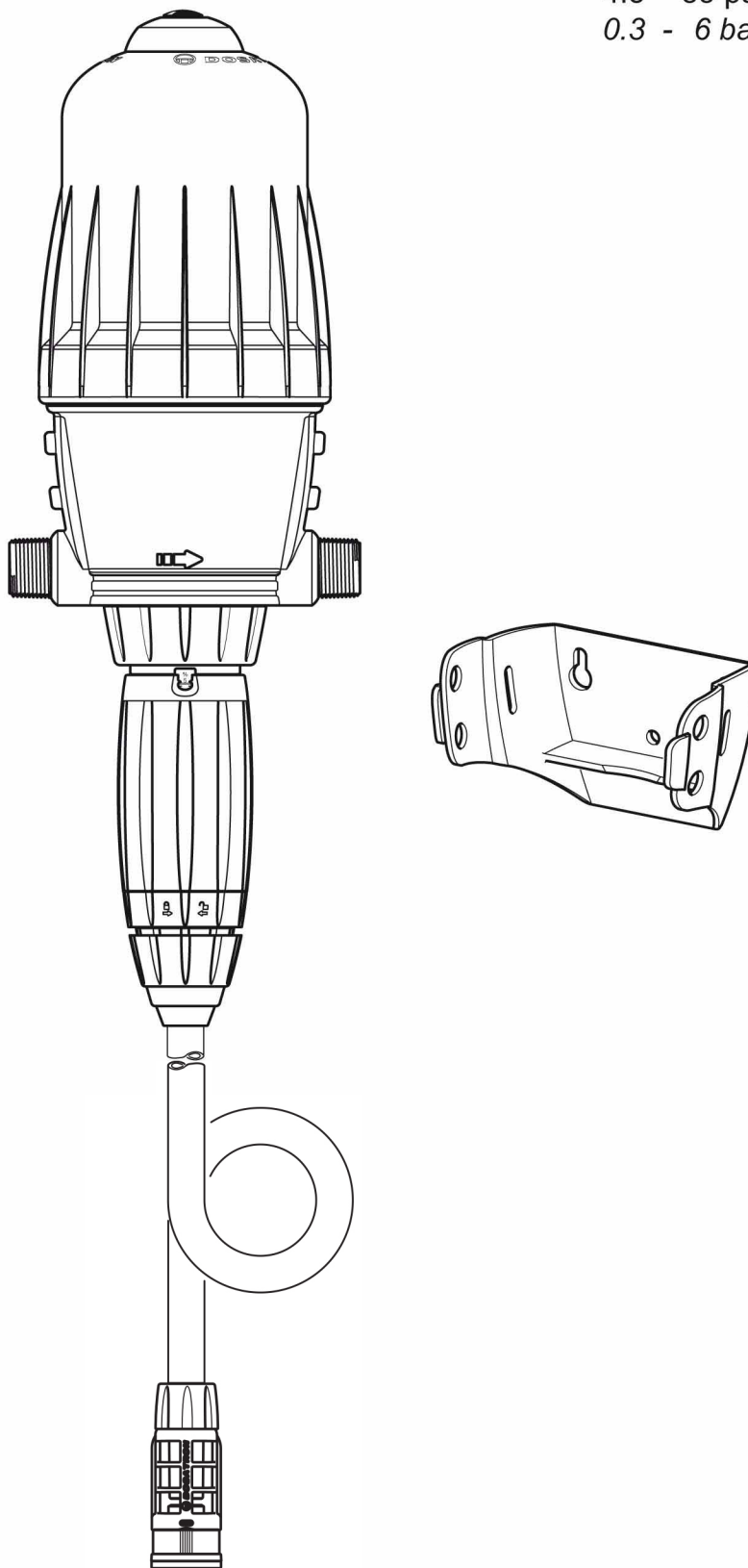
Phone: 727-443-5404 Service: (800) 523-8499

Fax: 727-447-0591

[www.dosatronUSA.com](http://www.dosatronUSA.com)

# D14MZ5

14 GPM - 1:200 - 1:20  
3 m<sup>3</sup>/h - 0.5 - 5 %  
4.3 - 85 psi  
0.3 - 6 bar



© DOSATRON INTERNATIONAL S.A.S. 2008  
D14MZ5/0608/D1

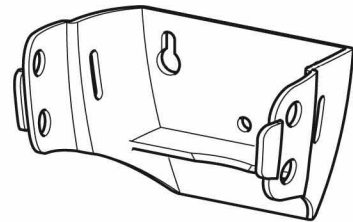
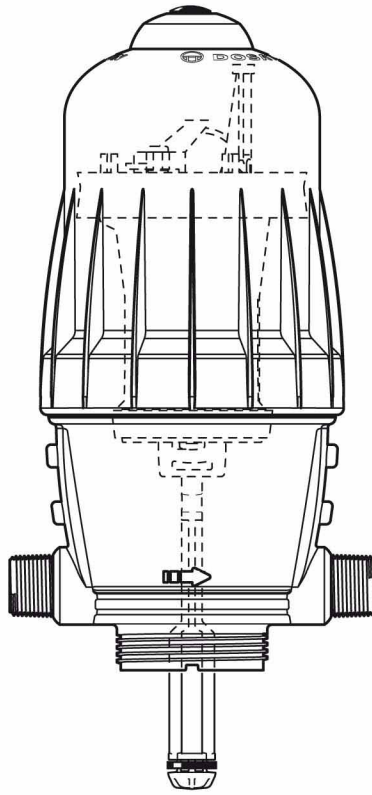
PJDI120 - Injection Seal Kit

PJDI120VVF - Injection Seal Kit for Viscous Hose

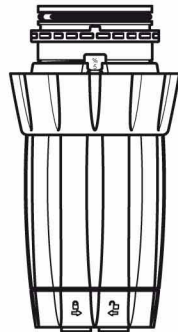
# D14MZ5

14 GPM - 1:200 - 1:20  
3 m<sup>3</sup>/h - 0.5 - 5 %  
4.3 - 85 psi  
0.3 - 6 bar

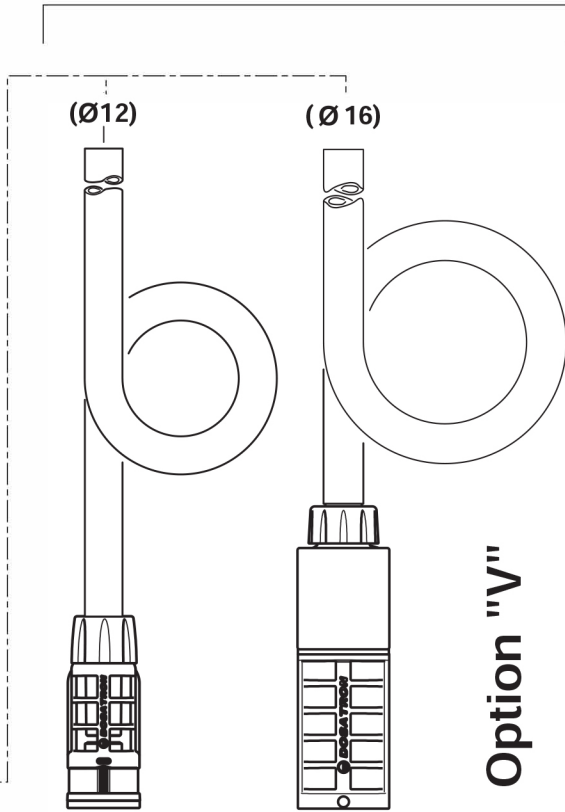
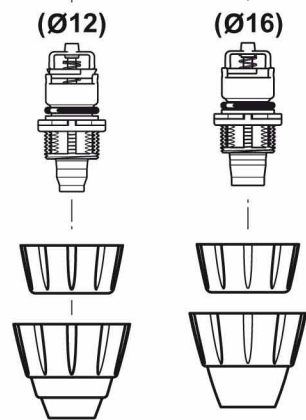
**C+M**



**A**

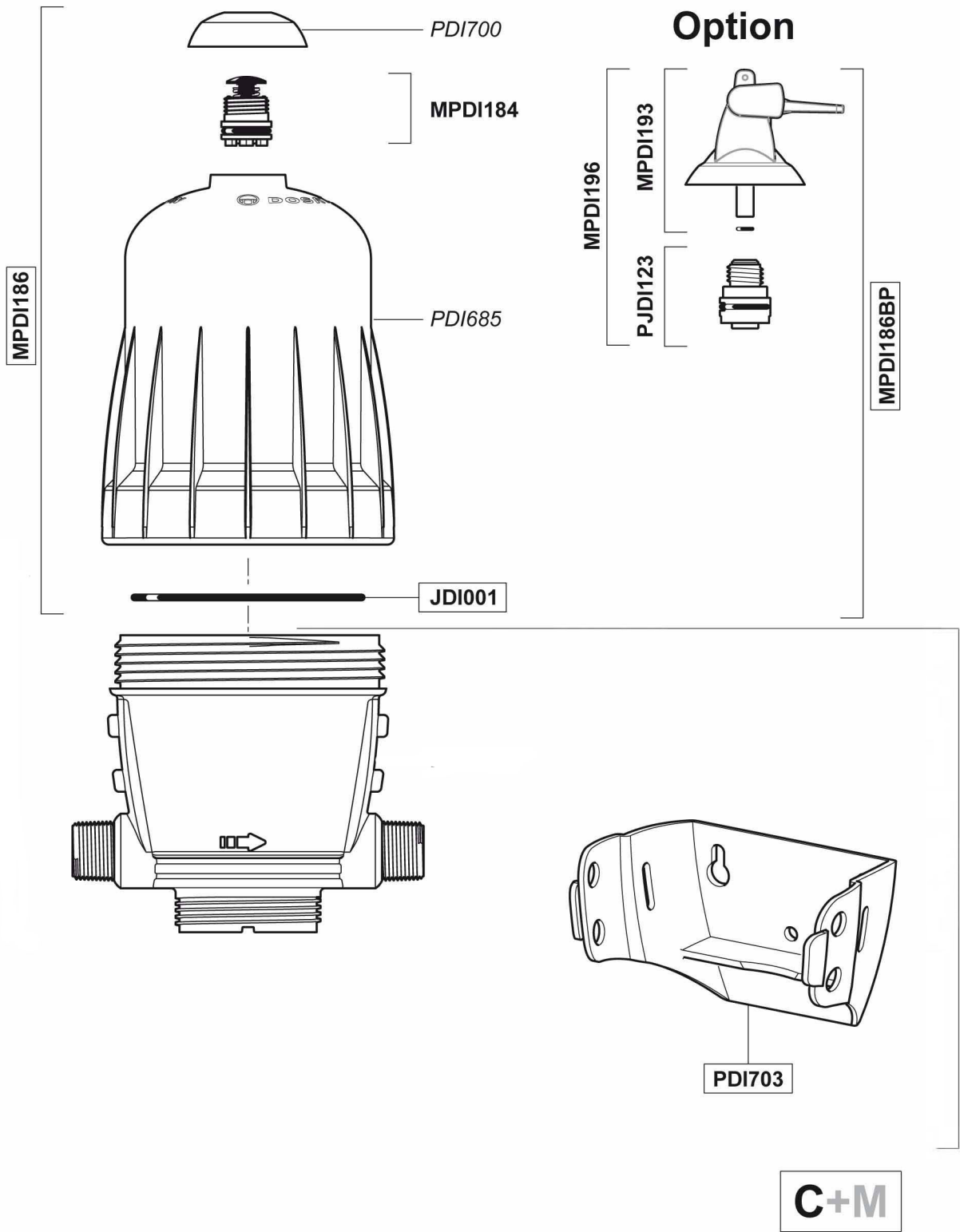


**D**



# D14MZ5

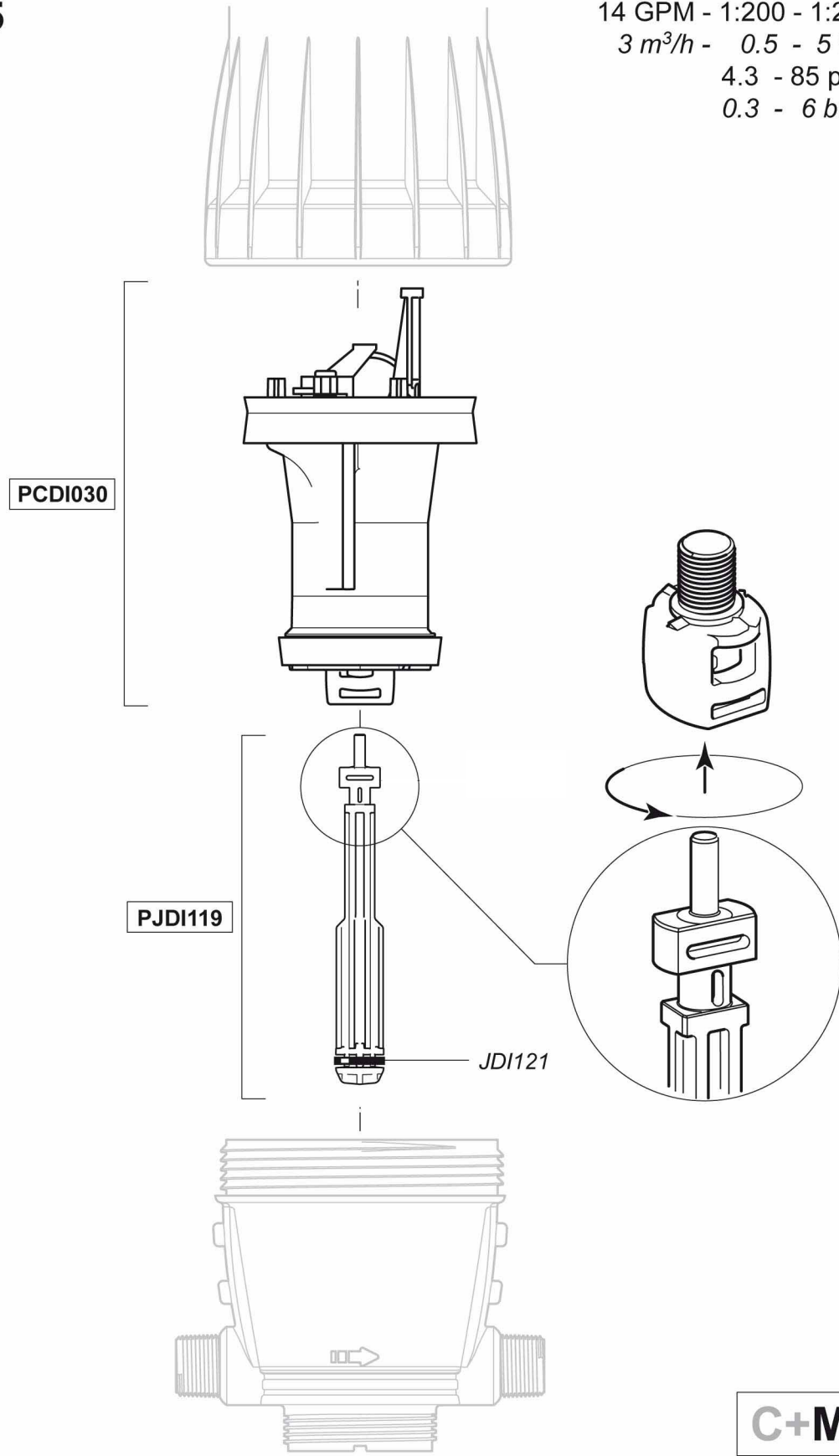
14 GPM - 1:200 - 1:20  
3 m<sup>3</sup>/h - 0.5 - 5 %  
4.3 - 85 psi  
0.3 - 6 bar



© DOSATRON INTERNATIONAL S.A.S. 2008  
D14MZ5/0608/D3

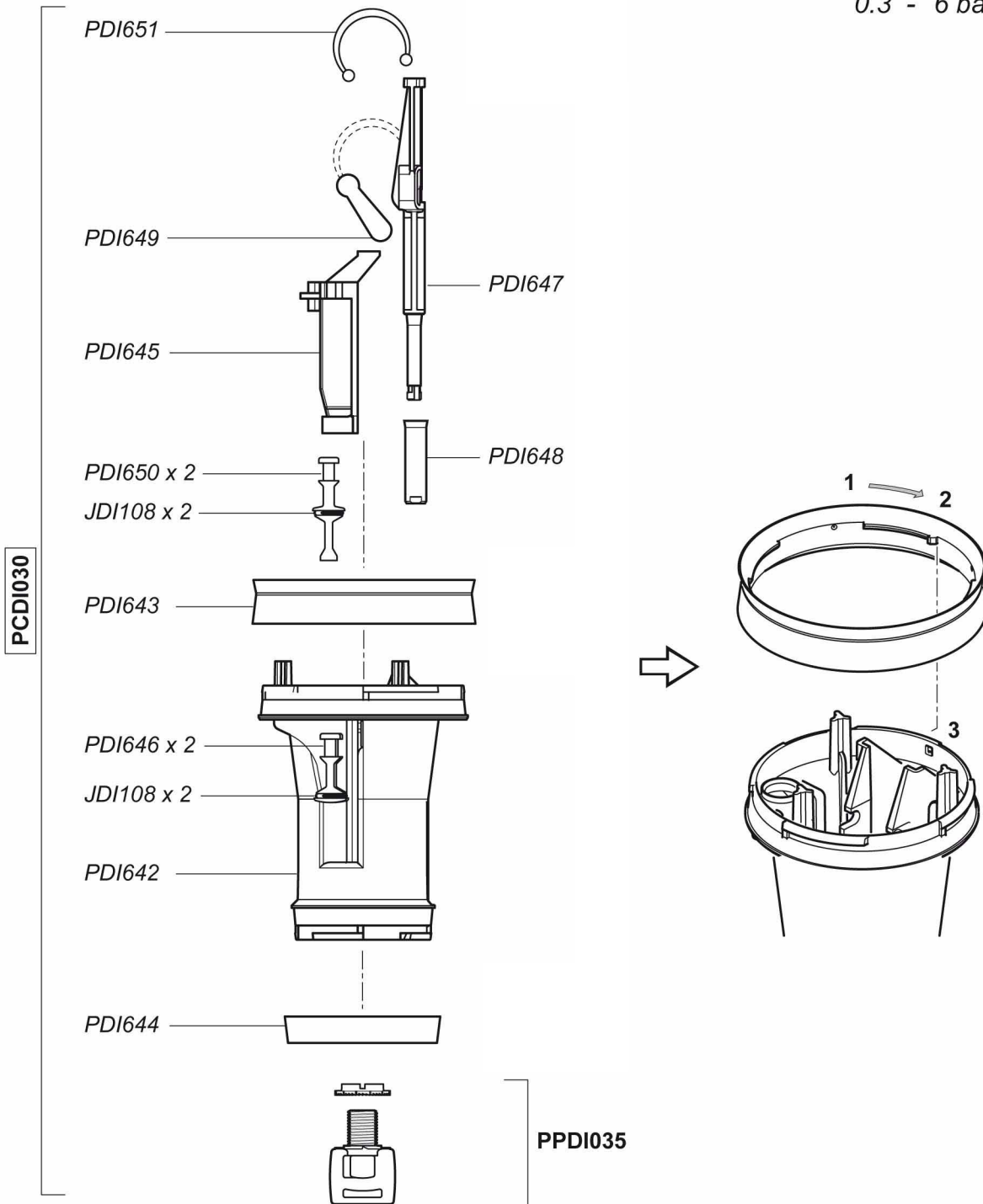
# D14MZ5

14 GPM - 1:200 - 1:20  
3 m<sup>3</sup>/h - 0.5 - 5 %  
4.3 - 85 psi  
0.3 - 6 bar



# D14MZ5

14 GPM - 1:200 - 1:20  
 3 m<sup>3</sup>/h - 0.5 - 5 %  
 4.3 - 85 psi  
 0.3 - 6 bar

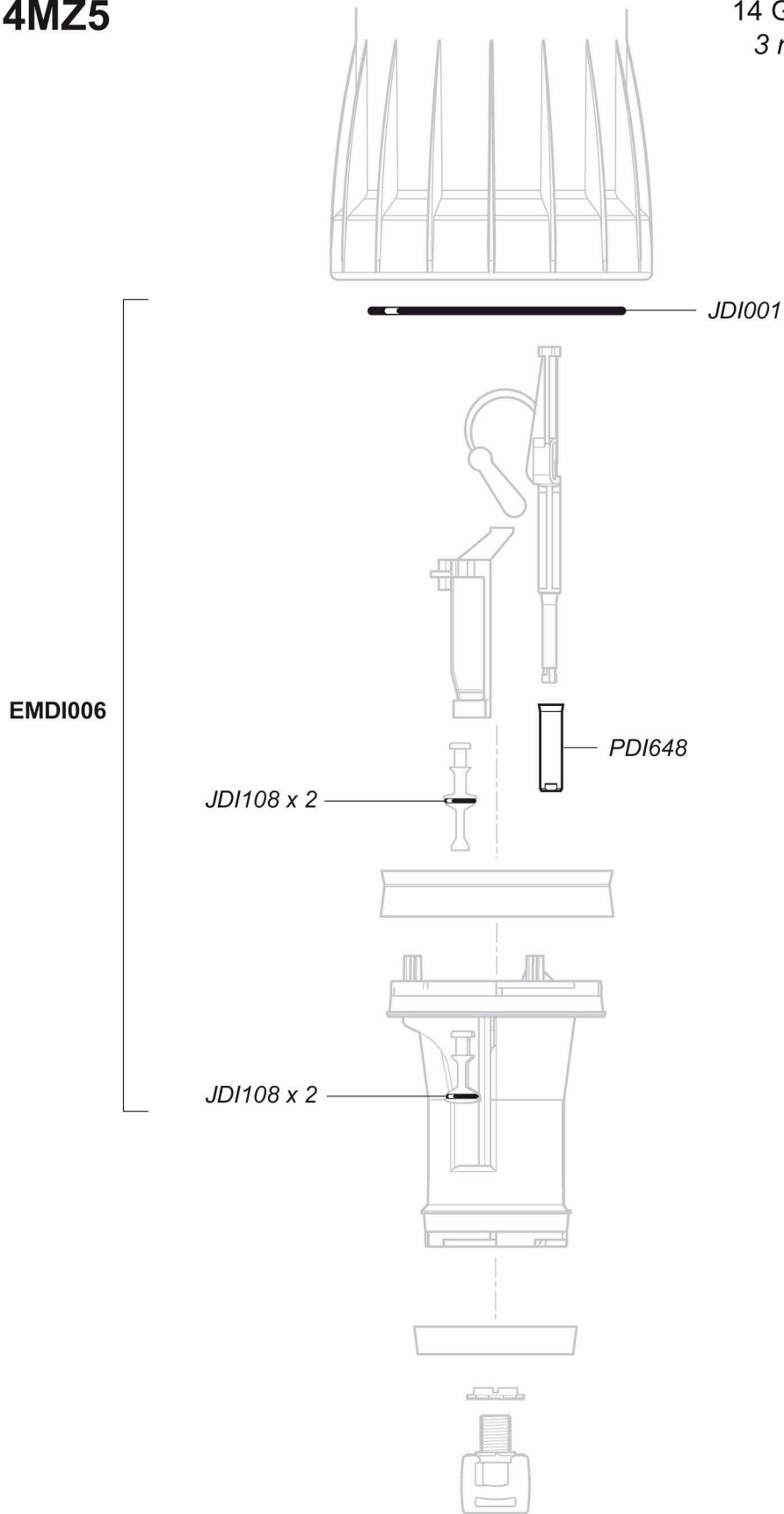


© DOSATRON INTERNATIONAL S.A.S. 2008  
 D14MZ5/0608/D5



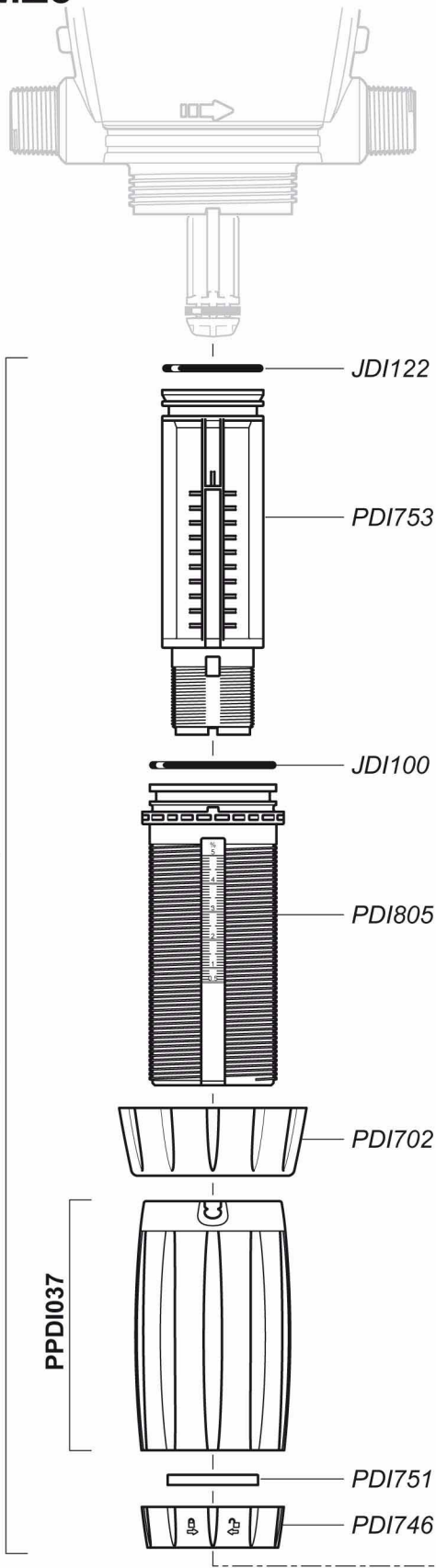
# D14MZ5

14 GPM - 1:200 - 1:20  
3 m<sup>3</sup>/h - 0.5 - 5 %  
4.3 - 85 psi  
0.3 - 6 bar



# D14MZ5

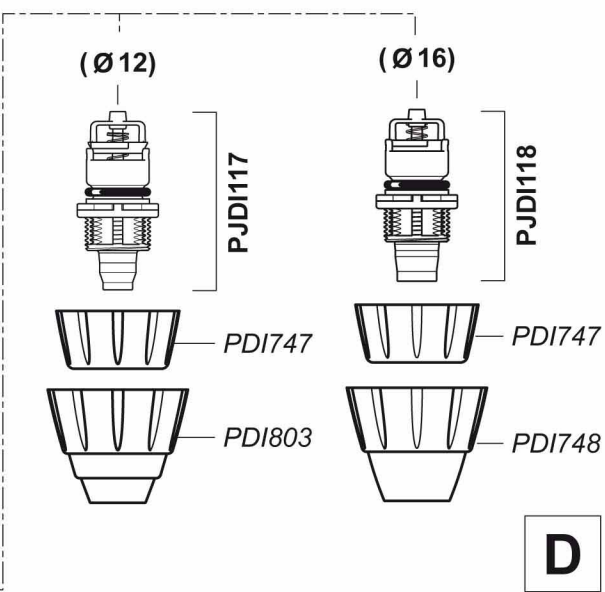
14 GPM - 1:200 - 1:20  
 3 m<sup>3</sup>/h - 0.5 - 5 %  
 4.3 - 85 psi  
 0.3 - 6 bar



CDDI075 (Ø 12)  
 CDDI075V (Ø 16)

© DOSATRON INTERNATIONAL S.A.S. 2008  
 D14MZ5/0608/D7

## Option "V"

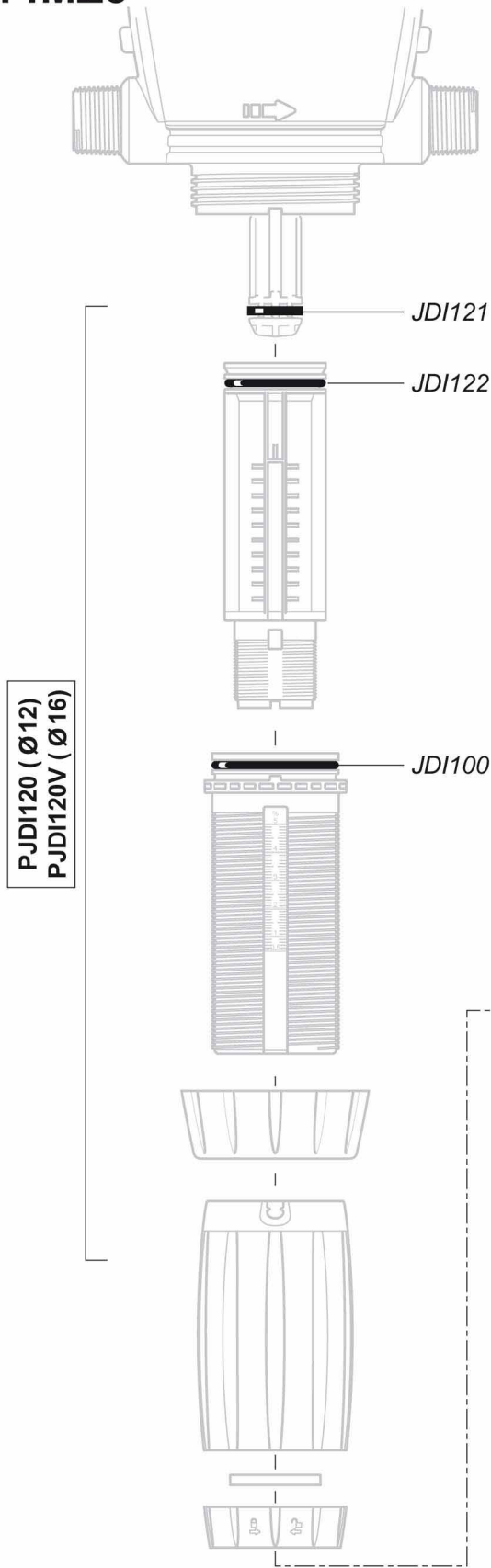


**D**

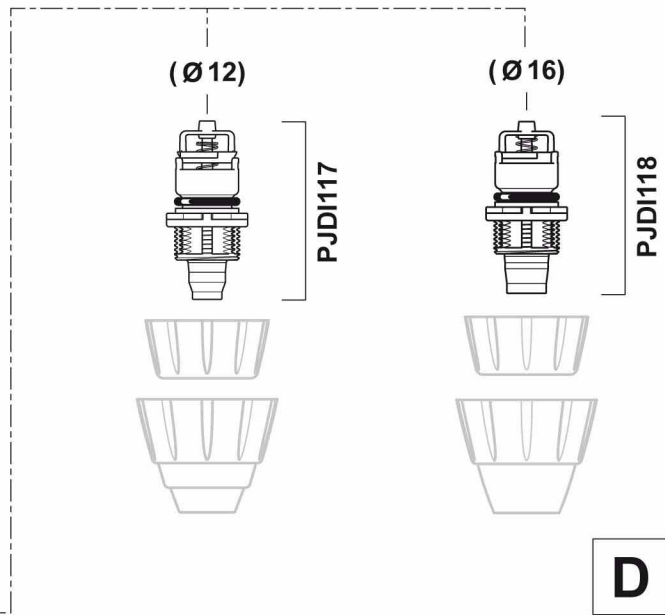


# D14MZ5

14 GPM - 1:200 - 1:20  
3 m<sup>3</sup>/h - 0.5 - 5 %  
4.3 - 85 psi  
0.3 - 6 bar



## Option "V"



# D14MZ5

14 GPM - 1:200 - 1:20  
3 m<sup>3</sup>/h - 0.5 - 5 %  
4.3 - 85 psi  
0.3 - 6 bar

